



Item	Qty.	Part #	Description
1	1	1607-1	Main Plate
2	1	1607-2	Roller Fairlead Plate
3	8	HDW2050	5/16" x 3/4" Hex Head Bolts
4	8	HDW7058	5/16" Nylock Nuts
5	8	HDW9002	5/16" Flat Washers

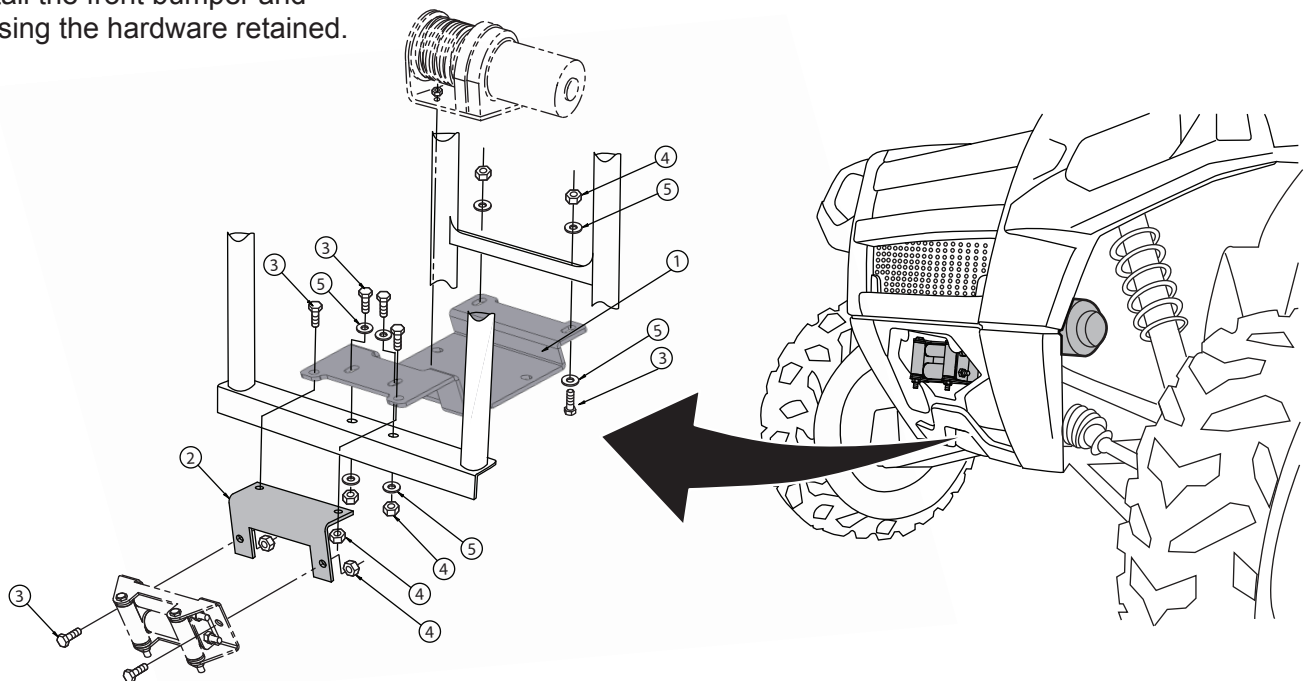
POLARIS

'08-09 800 RZR/RZR-S

WINCH MOUNT

NOTE: Roller fairlead not included with this kit!
NOTE: WILL NOT FIT 3500# & 4000# WINCHES!
P/N: 1607M (4505-0404)

1. Remove the front trunk of the machine and set aside. Remove the front plastic bumper of the machine and set aside. Make sure to keep track of all of the hardware and the location it was removed from.
Note: Unplug the headlights before the front bumper is removed.
2. You need to pull the radiator out of the way for the mount to fit into place. Remove the two top radiator bolts. You can now pull the radiator up and forward to come out of the bottom mounts. Do not disconnect the radiator hoses. Install the main plate (1) down through the front trunk and into place below the radiator.
2. Behind the radiator there are two mounting points similar to the illustration below. Position the Main Plate (1) as shown onto the mounting points and install two 5/16" x 3/4" Hex Head Bolts (3), four 5/16" Flat Washers (5), and two 5/16" Nylock Nuts (4) to the front mounting points. Repeat this step for the rear mounting points, except insert the bolts upward and seat the nuts on top of the washers as illustrated.
3. Install the Roller Fairlead Plate (2) as illustrated using two 5/16" x 3/4" Hex Head Bolts (3) and two 3/4" Nylock Nuts (4).
4. Install the winch to the main plate using the hardware provided with the winch. Run the winch cable through the square cut-out in the main plate, then through the center of the roller fairlead plate.
5. Install your Roller Fairlead (6) using two 5/16" x 3/4" Hex Head Bolts (3) and two 3/4" Nylock Nuts (4).
6. Re-install the front bumper and trunk using the hardware retained.



FOR QUESTIONS OR COMMENTS PLEASE CALL THE MANUFACTURER: **763-689-4800**

All images used are copyrighted property of CMP and may not be used without permission.

Inst1607M 05/06/08