



Qty.	Part#	Description
1	1597-1	Winch Mount
2	1601-1	Winch Mount Brackets
1	FG900	Roller Fairlead Mount Plate
4	HDW2000	1/4" x 3/4" Hex Bolts
2	HDW2050	5/16" x 3/4" Hex Bolts
4	HDW2051	5/16" x 1" Hex Bolts
2	HDW2064	5/16" x 1" Carriage Bolts (2 bolt pattern winches only)
4	HDW7050	1/4" Nylock Nuts
8	HDW7058	5/16" Nylock Nuts
4	HDW9002	5/16" Flat Washers
4	HDW9012	1/4" Flat Washers

Winch Mount Installation Instructions

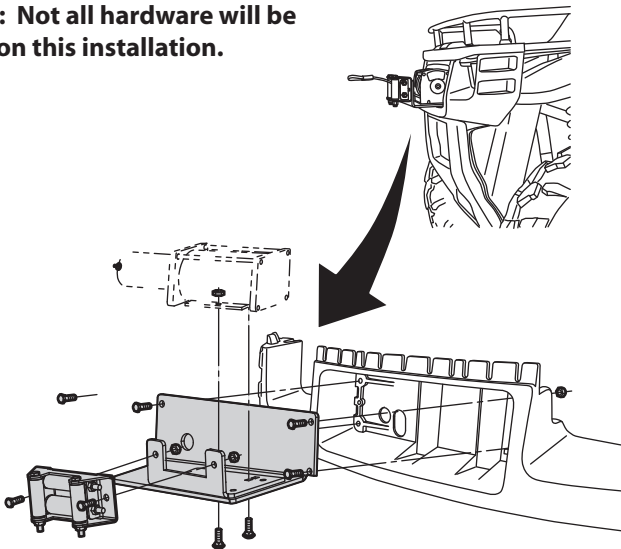
Part Number: 1601M (4505-0394)

NOTE: Roller fairlead not included with this kit!

**Instructions for '02-'04 Polaris 700 Sportsman,
'03-'04 600 Sportsman, '04 500 Sportsman H.O. &
'04 400 Sportsman**

1. Remove the four top torx bolts from the top rack.
2. Remove the front two rack extension bolts and remove the front rack.
3. Remove the two top rack support bolts.
4. Remove the four lower rack support bolts and unplug the lights.
5. Remove the bumper and light assembly.
6. Remove the center bumper insert.
7. Remove the plastic bumper from the bumper support.
8. Install the roller fairlead to the fairlead mount plate using (2) 5/16" x 3/4" hex bolts and (2) 5/16" nylock nuts provided (rollers should turn freely). NOTE: Bottom roller may need to be removed to run wire rope through.
9. Install the provided 5/16" carriage bolts up from the bottom of the mount through the fairlead mount plate and through the winch base.
10. Install the winch/winch mount assembly into the bumper with the original hardware.
11. Reinstall the bumper to the bumper support with the original hardware.
12. Reinstall the bumper and support with the original hardware.
13. Reinstall the rack with the original hardware.
14. Using the instructions provided with the winch, wire accordingly.

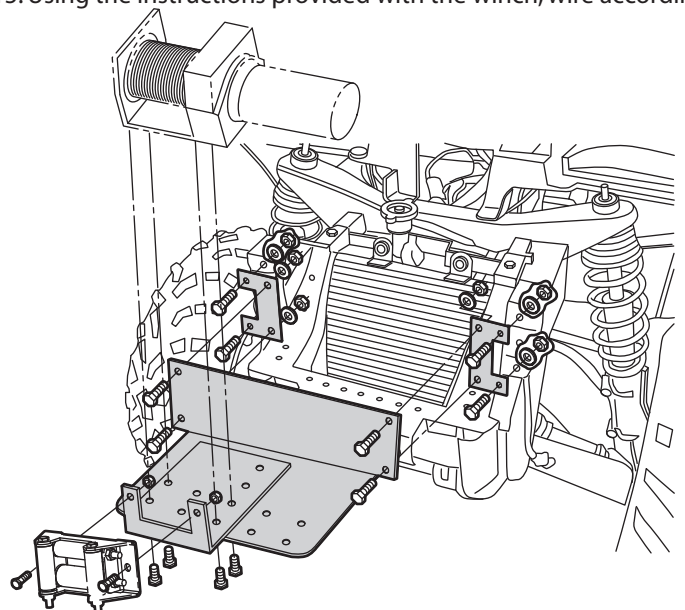
NOTE: Not all hardware will be used on this installation.



Instructions for '05-'09 400, 500, 600, 700 & 800

Sportsman, '06-'07 450 Sportsman, '07-'09 500 & 800 X2

1. Remove the four top torx bolts from the top rack.
2. Remove the front two rack extension bolts and remove the rack.
3. Remove the two top rack support bolts.
4. Remove the four plastic bumper bolts and unplug the lights.
5. Remove the bumper and light assembly.
6. Remove the center bumper insert.
7. Bolt the two smaller U shaped plates to the main winch plate using four 5/16" x 1" Hex bolts, flat washers, and nylock nuts.
11. Install the winch mount assembly onto the frame mounts per the illustration using (4) 1/4" x 3/4" hex bolts, (4) 1/4" flat washers and (4) 1/4" nylock nuts.
9. Install the roller fairlead to the fairlead mount plate using (2) 5/16" x 3/4" hex bolts and (2) 5/16" nylock nuts provided (rollers should turn freely). NOTE: Bottom roller may need to be removed to run wire rope through. Larger roller goes on bottom. NOTE: If using an aluminum hawse instead of a roller fairlead you will need different mounting hardware, check the hardware that came with your winch.
10. Position your winch and roller fairlead plate to match up with the holes in the main plate in the most centered position, most will be offset slightly. Make sure the winch is positioned to pull the cable from the bottom of the drum. Bolt the winch in place through the main plate and the roller fairlead plate using the hardware that came with the winch.
12. Reinstall the bumper to the bumper support.
14. Reinstall the rack with the original hardware.
15. Using the instructions provided with the winch, wire accordingly.



FOR QUESTIONS OR COMMENTS PLEASE CALL THE MANUFACTURER: **763-689-4800**

All images used are copyrighted property of CMP and may not be used without permission.

Inst1601M 11/10/07